

## RAISING POWER SUPPLY Model RPS 25



### FEATURES:

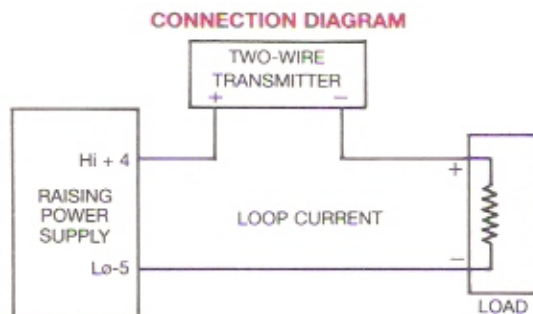
- ★ Specially designed for Loop powering two wire transmitter to increase loop drive capability.
- ★ Single or Dual Channel.
- ★ Raising characteristics of DC output voltage in proportion to loop current. In-built short circuit protection.
- ★ Back panel mounting (DIN RAIL).
- ★ Needs virtually no maintenance.

- ★ Rugged construction with ABS Plastic housing.
- ★ Optional Piggy-Back mounting on Teletherm's Striplite Receiver Indicator (Option - P)\*

Teletherm's Raising Power Supply is a solid state unit providing adequate protection to the transmitters. Engineered with process application in mind, it provides a raising voltage characteristics thereby providing improved loop drive capability over conventional DC regulated power supplies.

### TECHNICAL SPECIFICATIONS

Supply	: AC 220 V : $\pm 10\%$ 50 HZ (or) 110 $\pm 10\%$ 50Hz
Output voltage	: At 4mA : 24.5V DC $\pm$ IV At 20mA : 30.5V DC $\pm$ IV
Ambient conditions	: 0 to 50° C, 95% RH
Dimension	: 70 x 60 x 110 mm option - P (105 x 92 x 34 mm)



\* RPSU with option - P provides single 24V for powering on transmitter.

